



Drying capacity: **130 l/24h**

Drying space capacity: **1000 m³**

Air flow: **3000 m³/h**

Specifications	AIR DRYER
CODE	OP-130
Drying space capacity [m ³]	1000
Rated capacity [l/24h]	100
Maximum capacity [l/24h]	130
Air flow [m ³ /h]	3000
Moc elektryczna znamionowa [W]	1700
Rated voltage	230V, 50hz
Rated current [A]	7,3
Operating range [°C]	2-40
Automatic overflow switch	YES
Water tank [dm ³]	15
Possibility of connecting a water drainage hose	YES
Noise level [dBA]	65
Net weight [kg]	65
Control	Manual
Refrigerant	Ecological R410A
Defrosting	Smart, hot gas
Filter	Does not require replacement

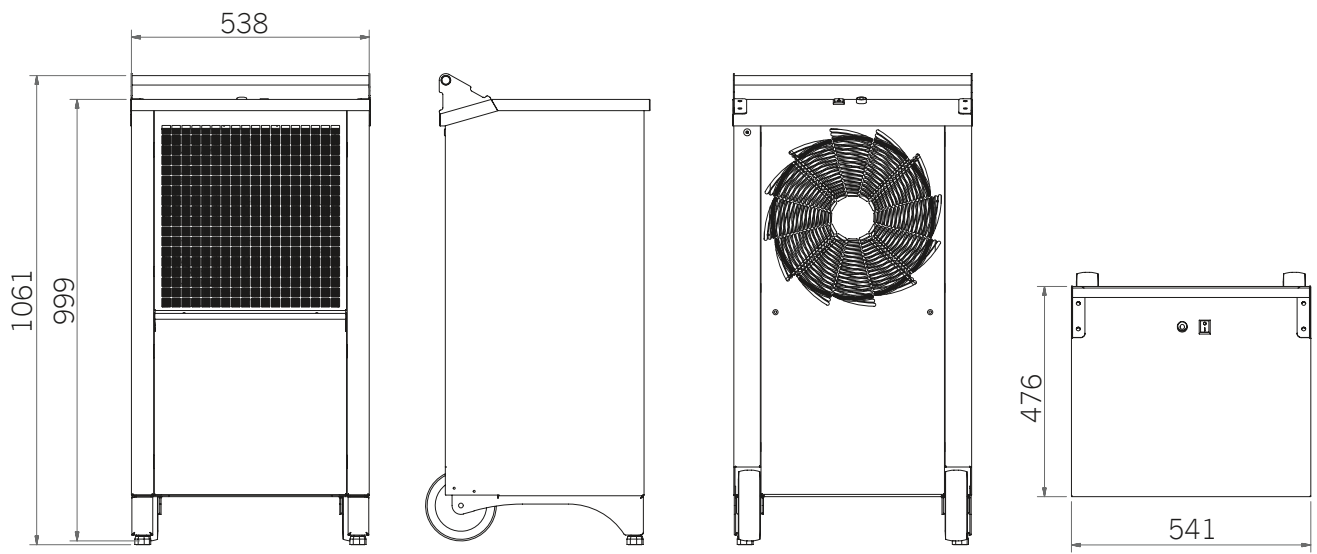
Options

hygrostat

operating hours counter

electric power meter

additional heaters (for unheated rooms) - Note! Required 230/400 V power supply





Temperature range: **+5°C/+35°C**

Refrigerating unit: **Internal**

Refrigerant/Cooling factor: **R290**

Specifications	AIR DRYER
CODE	OP-50
Drying capacity [l/24h]	50
Drying space capacity [m ³]	250
Rated capacity [l/24h]	43
Maximum capacity [l/24h]	50
Air flow [m ³ /h]	650
Rated current [A]	2,4
Operating temperature range [°C]	5-35
Water tank [dm ³]	6
Noise level [dBA]	55
Net weight [kg]	40,5
Refrigerant	R290

Standard

water tank 6l

possibility of connecting a water drainage hose

automatic overflow switch

de-icing smart, hot gas

filter not needing replacement

Options

hygrostat

operating hours counter

electric power meter

additional heaters (for unheated rooms) - Note! Required 230/400 V power supply.

